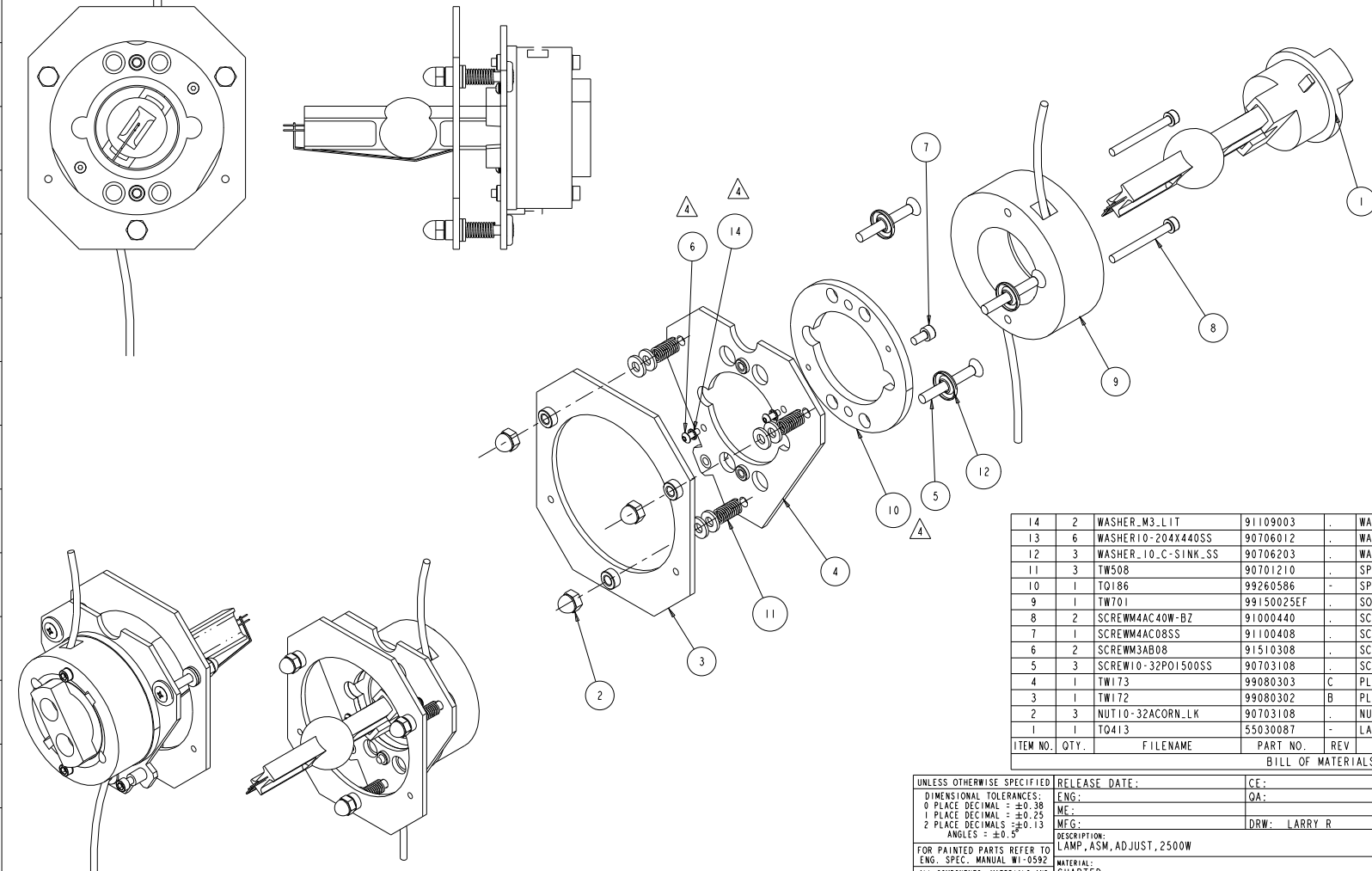


TOA042

REV.	DESCRIPTION	DATE	ENG	ECO #	APPR
1	CREATE DRAWING	24SEP08	LR		
2	SWAP MACHINED WASHERS FOR STAMPED; ADD FLAT WASHERS	05NOV08	LR		
3	SPRING WAS 1.5, NOW 1.0; SCREW WAS 2.0, NOW 1.75	17NOV08	LR		
4	ADD SPACER + HARDWARE TO CORRECT Z-AXIS RANGE	19NOV08	LR		



ITEM NO.	QTY.	FILENAME	PART NO.	REV	DESCRIPTION
14	2	WASHER_M3_LIT	91109003		WASHER, M3 LOCK INTERNAL TOOTH SZ
13	6	WASHER10-204X440SS	90706012		WASHER, FLAT #10 SS
12	3	WASHER_10_C-SINK_SS	90706203		WASHER, #10, .594 OD, CTSK FINISH, 18-8, SS
11	3	TW508	90701210		SPRING, COMPRESSION, .30 OD x 1.0 L SS
10	1	TQ186	99260586		SPACER, LAMP ADJUST, Z-AXIS
9	1	TW701	99150025EF		SOCKET, LAMP, PGJ50
8	2	SCREWM4AC40W-BZ	91000440		SCREW, M4 SOCKET CAP 40 BZ SEMS
7	1	SCREWM4AC08SS	91100408		SCREW, M4 SOCKET CAP 08 SS
6	2	SCREWM3AB08	91510308		SCREW, M3 BUTTON SOCKET HEAD 08 BZ
5	3	SCREW10-32P01500SS	90703108		SCREW, 10-32, PHIL OVAL 1 1/2, 18-8, SS
4	1	TW173	99080303	C	PLATE, LAMP MOUNTING SG
3	1	TW172	99080302	B	PLATE, LAMP ADJUST, SG
2	3	NUT10-32ACORN_LK	90703108		NUT, ACORN 10-32, SELF-LOCK, 3/8W, 13/32H SS
1	1	TQ413	55030087		LAMP, 2500 WATT FASTFIT

ITEM NO.	QTY.	FILENAME	PART NO.	REV	DESCRIPTION
BILL OF MATERIALS					

UNLESS OTHERWISE SPECIFIED:	RELEASE DATE:	CE:	High End	2105 GRACY FARMS LANE	 LIGHTWAVE RESEARCH
DIMENSIONAL TOLERANCES:	ENG:	OA:		AUSTIN, TEXAS 78758	
0 PLACE DECIMAL = ±0.38	ME:			(512) 836-2242	
1 PLACE DECIMAL = ±0.25	MEG:	DRW: LARRY R		FAK (512) 832-4128	
2 PLACE DECIMALS = ±0.13				***** http://www.highend.com	
ANGLES = ±0.5°					

FOR PAINTED PARTS REFER TO ENG. SPEC. MANUAL WI-0592	MATERIAL:	FINISH:
ALL COMPONENTS, MATERIALS AND FINISHES TO BE R&HS COMPLIANT	CHARTED	NONE
MIN. DRAFT	INTERPRET DIMENSIONS PER ASME Y14.5M-1994	PART NO.
MIN. RADIUS	THIRD ANGLE PROJECTION	INTERNAL TQAO42
FLATNESS	DIMENSIONS ARE IN MILLIMETERS	DRAWING NO.
THICKNESS		TQAO42
VOLUME		REV.
		4

**PROPRIETARY NOTICE:**  
 THIS DOCUMENT CONTAINS CONFIDENTIAL AND PROPRIETARY INFORMATION OF HIGH END SYSTEMS INC., (ALSO DBA LIGHTWAVE RESEARCH) AND IS GIVEN TO THE RECEIVER IN CONFIDENCE. THE RECEIVER ACCEPTS AND AGREES THAT, EXCEPT AS AUTHORIZED BY HIGH END SYSTEMS, THE RECEIVER WILL NOT PERMIT THE USE OF THE DOCUMENT OR ANY COPY THEREOF OR THE INFORMATION THEREIN, WILL NOT COPY OR PERMIT COPYING THE DOCUMENT OR THE INFORMATION THEREIN, AND WILL UPON COMPLETION OF THE NEED TO RETURN THE DOCUMENT, OR UPON DEMAND, RETURN THE DOCUMENT WITHOUT RETAINING ANY OF THE INFORMATION CONTAINED THEREIN IN ANY FORM WHATSOEVER.

DO NOT SCALE	SCALE: 1.000	SHEET: 1 OF 1
--------------	--------------	---------------